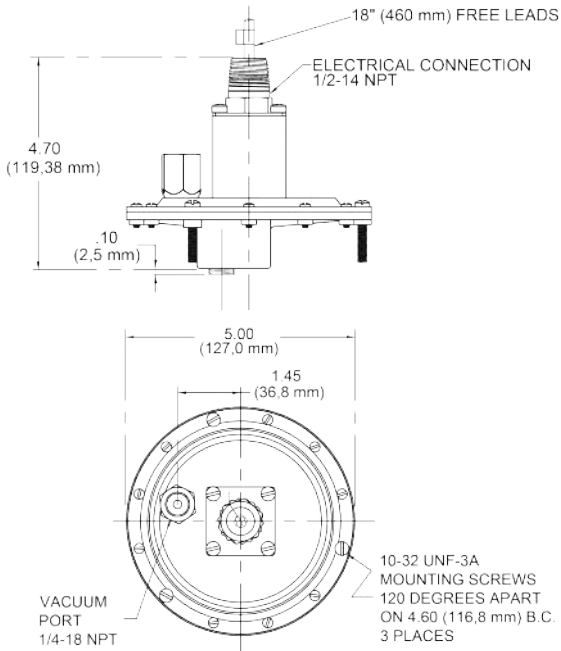
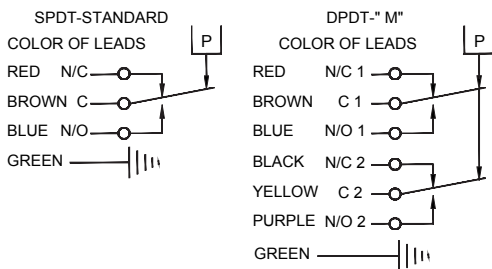


Installation & Maintenance Instruction

Switch Models: 675GES*, 675DES*, 675VES* & 675GES800*, 675DES800*



SCHEMATIC AND WIRING CODE:



NAMEPLATE ELECTRICAL RATING

11 AMP RATING	11 AMPS 1/4 HP 125, 250 VAC 5 AMPS 30 VDC; 0.5 A 125 VDC
5 AMP RATING	5 AMPS 125, 250 VAC; 5 AMPS 30 VDC
1 AMP RATING	1 AMP 125 VAC; 1 AMP 30 VDC GOLD CONTACTS

CCS switches are designed to provide long life and maintain excellent set-point accuracy under adverse environmental conditions.

Check Nameplate on the switch for maximum proof (overpressure) or vacuum limits.

GENERAL:

- a) Observe all Warnings and Cautions contained on the attached Warning Sticker, the Warning Declaration and the CCS Catalog.
- b) Follow all applicable Governmental or other Codes or Regulations.
- c) Special Conditions for Safe Use: The integral free lead wires shall be mechanically protected and terminated in a suitable junction or terminal facility.

MOUNTING:

- a) Units may be mounted in any position on a flat surface using three 10-32 mounting screws 120° apart on 4.60 inches bolt circle with a clearance for a high pressure port. Or for switches supplied with optional Mounting Bracket on a flat surface using four 10-32 bolts at least 3/8" long on 2" x 2-5/8" inches bolt pattern, see diagram.

WARNING: RELEASE ALL PRESSURE PRIOR TO INSTALLATION OR REMOVAL OF THIS DEVICE. DO NOT EXCEED NAMEPLATE LISTED PROOF PRESSURES.

- a) Units are supplied with female 1/4-18 NPT port(s) suitable for connection to NPT pipe nipples or NPT taper threaded pipe. CCS recommends use of either a union or bendable tubing. This will eliminate excessive strain on the housing.
- b) Pipe joint sealing compound is preferred over Teflon tape. However, either method of sealing is acceptable with proper care to avoid introducing sealing material into pressure switch or plumbing.

ELECTRICAL CONNECTIONS:

WARNING: DO NOT MAKE ELECTRICAL CONNECTIONS WHILE ELECTRICAL POWER IS ON. THIS PRODUCT MUST BE INSTALLED BY A QUALIFIED ELECTRICIAN TO AVOID RISK OF ELECTROCUTION.

- a) Electrical conductors are provided within a male conduit connection.
- b) When making wire connections disconnect electrical power. Check for multiple circuits.
- c) Make electrical connections in accordance with the appropriate codes and regulations. Keep as much wire as possible for a service loop to facilitate service, see wiring diagrams.
- d) Proper grounding must be accomplished by use of the illustrated grounding lug (earthing terminal) provided.
- e) CCS recommends that rating for fuses or circuits breakers used for protection against overloads or short conditions should not exceed the maximum ratings of the electrical switch being employed.

ADJUSTMENT: (Not applicable if units are factory set)

Pressure settings are externally adjustable for 675GES800*, 675DES800* & 675VES800* series only.

- a. Unit can be set prior to installation; insert 1/8" Allen wrench into adjustment screw (located in pressure port) and turn clockwise to decrease settings and counterclockwise to increase settings.
- b) If the electrical circuit cannot be used for testing, disconnect electrical power and use a suitable circuit tester or light box.
- c) Reconnect electrical circuit.
- d) Return power to unit.

FOR SERVICE OR ORDERING INFORMATION

Consult factory or authorized factory representative. Specify full catalog part number (with optional modification) and factory set-point.

WARRANTY

All CCS products and services are sold subject to: "CCS standard terms and conditions of sale".

Custom Control Sensors, LLC(CCS)
21111 Plummer Street
Chatsworth, CA 91311
Tel: (818) 341-4610 • Fax: (818) 709-0426
<http://www.ccsdualsnap.com>

WARNING DECLARATION

If this switch is used to protect equipment or personnel from unsafe pressure or to guard against the hazardous release of contained substances it must be installed and operated in accordance with applicable codes, regulations and standards. This switch must be used in conjunction with system design(s) or procedure(s) necessary to mitigate any hazard resulting from its failure. Conform to installation instructions accompanying this switch. Individuals who ignore this warning may suffer serious or fatal injury and do so at their own risk. Custom Control Sensors is not liable for any misuse, abuse, suitability or adequacy of user's application of the switch. Service by qualified personnel only.